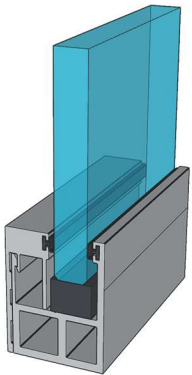
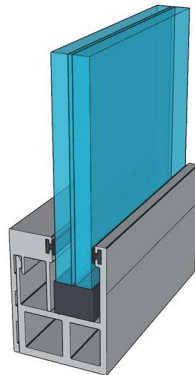


A1200 Single Glaze

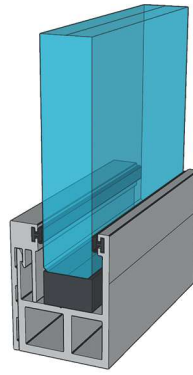
patent pending



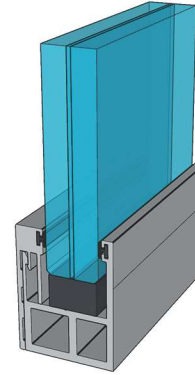
1/2" Tempered Glass
STC 30, OITC 29
GS005



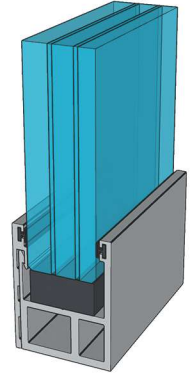
9/16" Laminated Glass
STC 36, OITC 32
GS005



3/4" Tempered Glass
STC 32, OITC 32
GS003



13/16" Laminated Glass
STC 40, OITC 36
GS003



1-1/16" Laminated Glass
STC TBD, OITC TBD
GS001

Product Data

Material - 6063-T5 Aluminum

Maximum Glass Height - 12ft. (144in.)

Maximum Glass Width - 6ft. (72in.)

Stock length - 13ft. (156in.)

STC - Rating depends on the glass

OITC - Rating depends on the glass

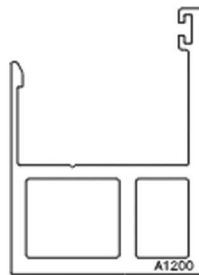
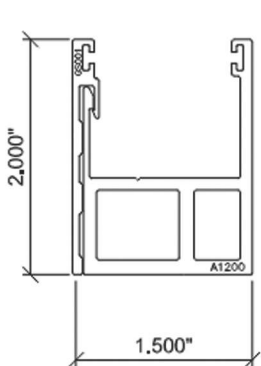
The A1200 Single Glaze is the ideal choice for architects in need of superior glass partitioning system. This modular design makes it easy to configure and can accommodate for many different glass thicknesses. The strong and durable aluminum frame enhances the look and feel of your space while providing exceptional soundproofing. With it's variety of adjustable glass stops, you can easily create a perfectly tailored layout that brings out the best in any setting.

Glass options 7/16" - 1-1/16"






Tempered, Monolithic, Insulated,

Laminated, and Smart or Privacy Glass

A1200 Single Glaze is ready to make an impact on your project today.



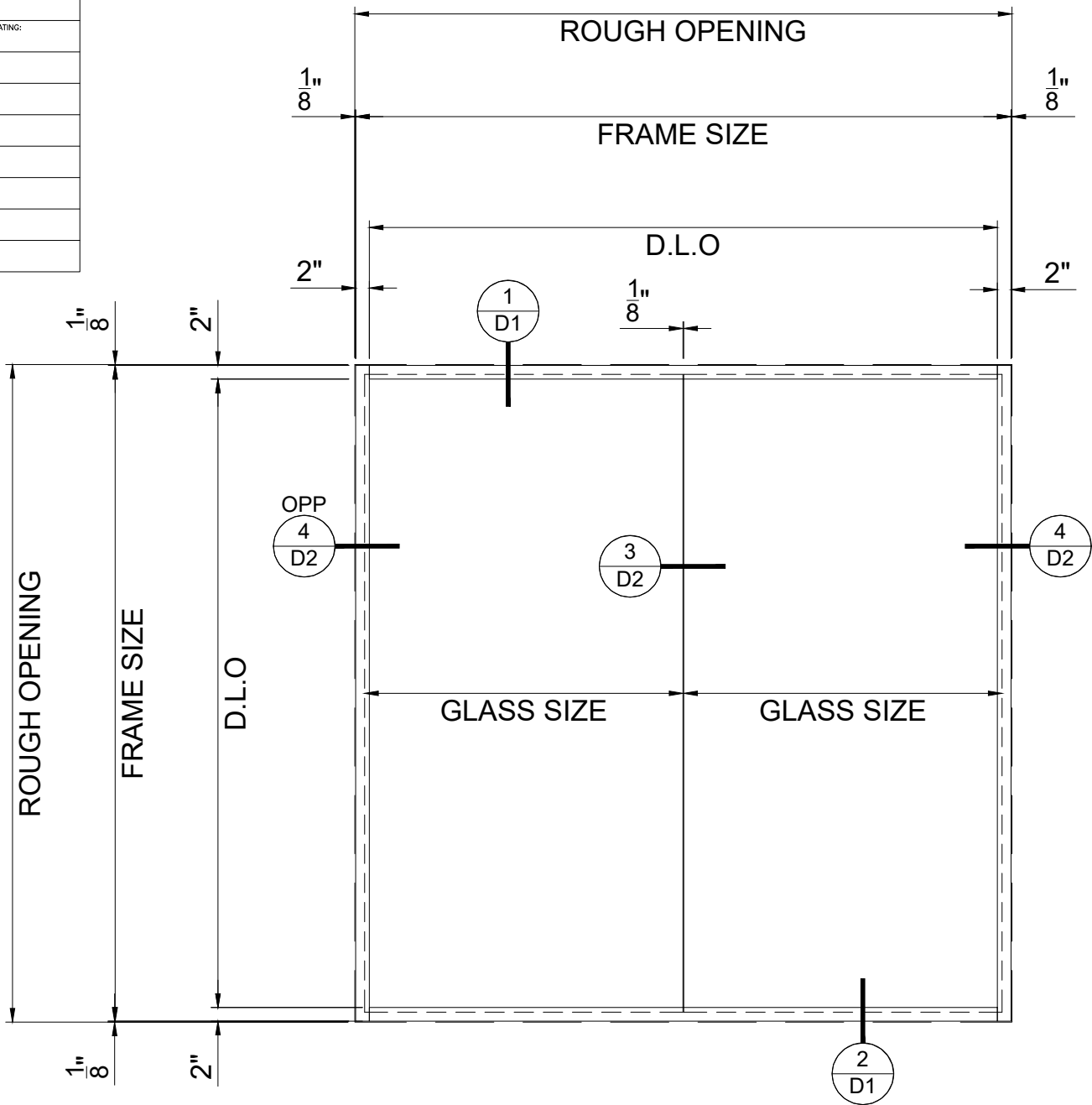
A1200 Base Track

				
Part.No. GS001	Part.No. GS002	Part.No. GS003	Part.No. GS004	Part.No. GS005

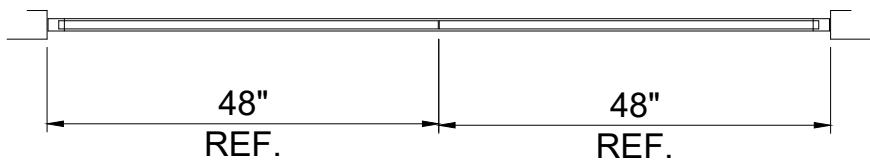
Glass Stop Options



SYSTEM: A1200 SINGLE GLAZE	
GLASS TYPE SHOWN: 1 1/16" DOUBLE LAMINATED	
GLASS STOP SHOWN: GS001	
SEAL: RUBBER BULB SEAL	
SCALE: 1:1	
STC RATING: TBD	OITC RATING: TBD
DATE: 02.22.2023	
PATENT PENDING: #561521911	
PAGE: E1	
NOTES:	



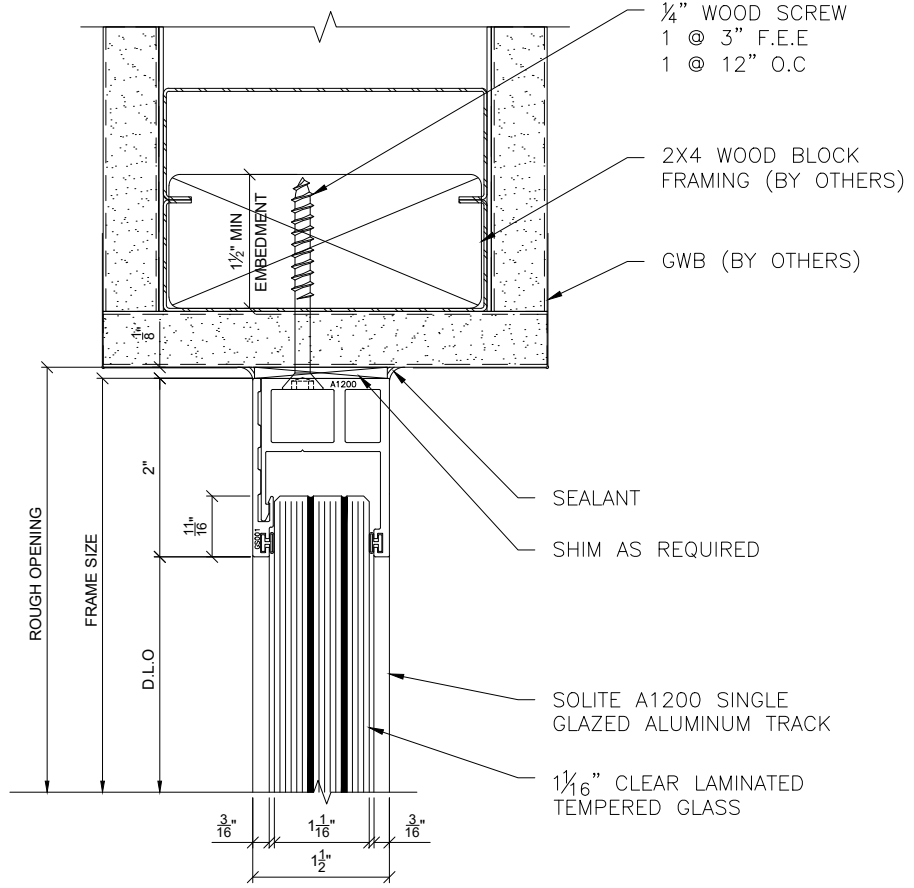
1 ELEVATION
QUANTITY: .
ARCH REF: -



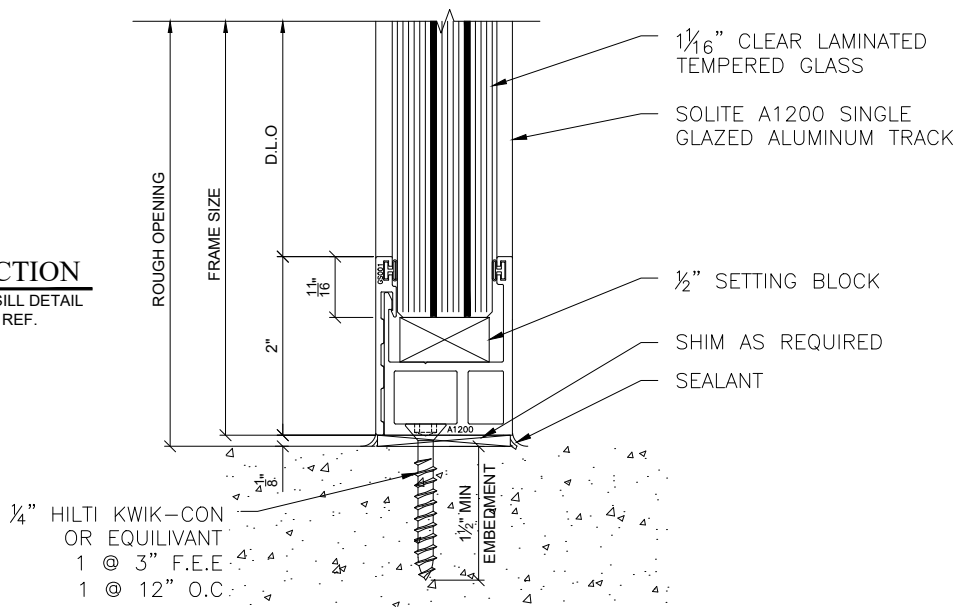


SYSTEM: A1200 SINGLE GLAZE	
GLASS TYPE SHOWN: 1 1/16" DOUBLE LAMINATED	
GLASS STOP SHOWN: GS001	
SEAL: RUBBER BULB SEAL	
SCALE: 1:1	
STC RATING: TBD	QIRC RATING: TBD
DATE: 02.22.2023	
PATENT PENDING: #561521911	
PAGE: D1	
NOTES:	

1 SECTION
TYP. HEAD DETAIL
ARCH REF.



2 SECTION
TYP. SILL DETAIL
ARCH REF.



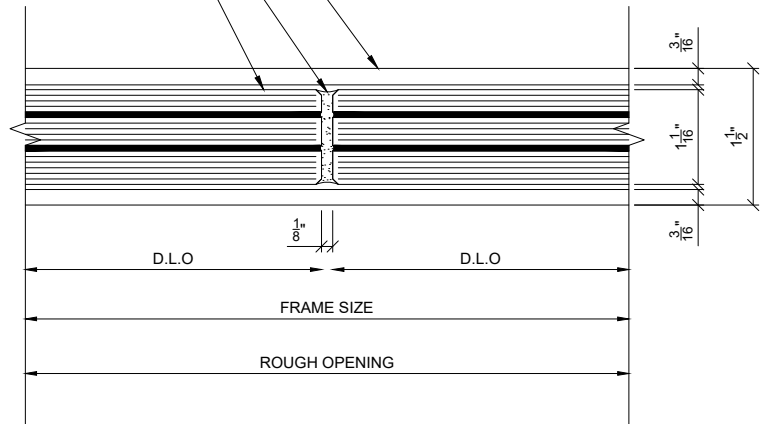


SYSTEM: A1200 SINGLE GLAZE	
GLASS TYPE SHOWN: 1 1/16" DOUBLE LAMINATED	
GLASS STOP SHOWN: GS001	
SEAL: RUBBER BULB SEAL	
SCALE: 1:1	
STC RATING: TBD	OTC RATING: TBD
DATE: 02.22.2023	
PATENT PENDING: #561521911	
PAGE: D2	
NOTES:	

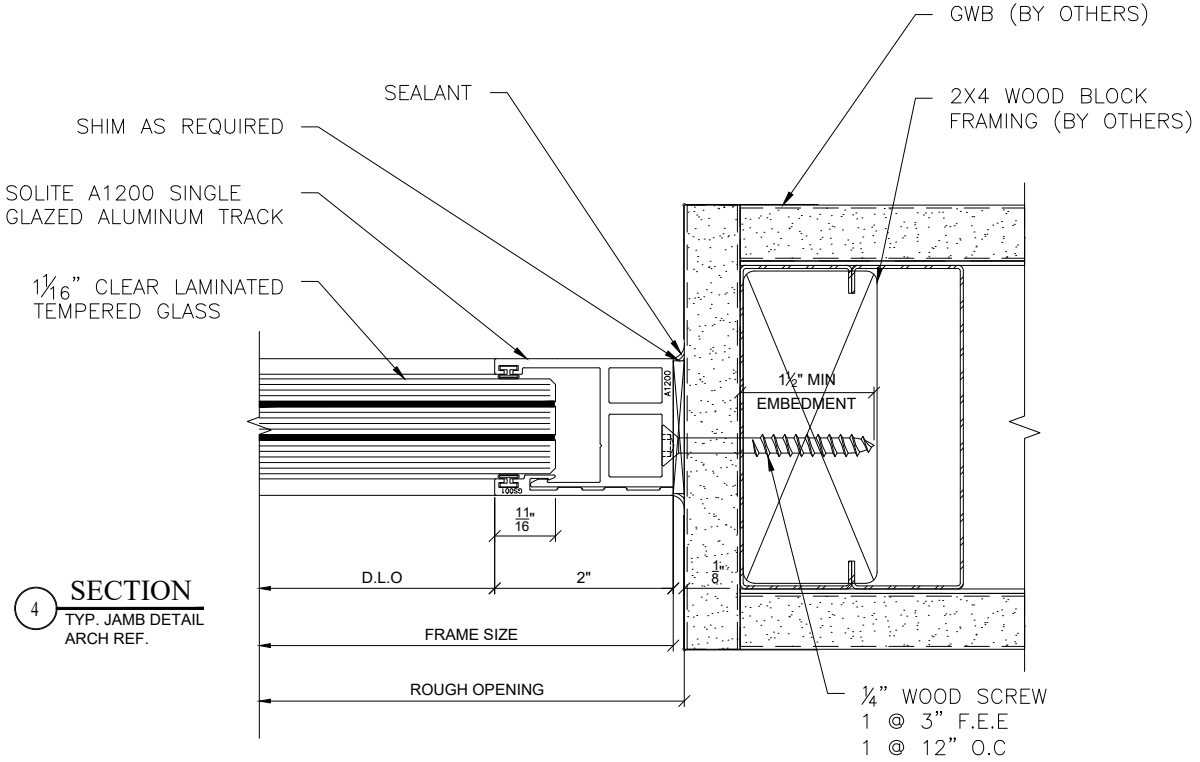
SOLITE A1200 SINGLE
GLAZED ALUMINUM TRACK

SEALANT

1 1/16" CLEAR LAMINATED
TEMPERED GLASS



3 SECTION
TYP. VERTICAL DETAIL
ARCH REF.



4 SECTION
TYP. JAMB DETAIL
ARCH REF.

1/4" WOOD SCREW
1 @ 3" F.E.E
1 @ 12" O.C